

PowerFLO

Diaphragm Pumps



2200 SERIES

2200-201 – 1.0 GPM PUMP / 3/8" Hose Barb

Motor:

Type: 12V DC permanent magnet, thermally protected, splashproof.

Connection:

2200-101: 18 AWG 9" long

2200-201: 18 AWG, 4.5" long

2200-201: 18 AWG, 4.5" long

Duty Cycle: Intermittent

Pump:

Type: 2 chamber positive displacement diaphragm pump, self priming, capable of being run dry.

Max Temp: 110°F

Priming Capabilities: 4 feet

Max Pressure: 40 PSI

Pressure Demand Switch: Shut-off: 40± 5PSI,

Turn-On: 25± 5PSI

Inlet/Outlet Ports: 3/8" hose barb

Weight: 1.25lbs

Materials of Construction:

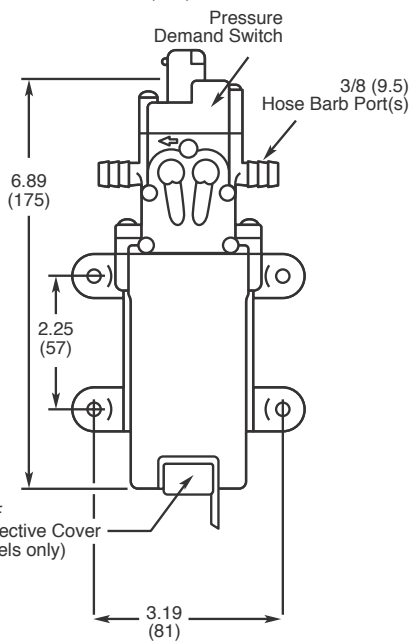
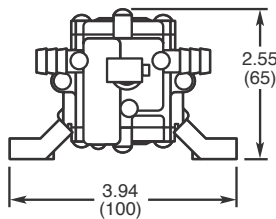
Pump Housing: Polypropylene

Valves: Viton

Diaphragm: Santoprene

Fasteners: Stainless Steel and zinc plated

Motor Housing: Nylon 6/6



2200 Series Performance

PSI	GPM	Amps
0	1.05	1.5
10	0.90	1.9
20	0.80	2.1
30	0.75	2.4
40	0.65	2.6
50	0.60	2.9