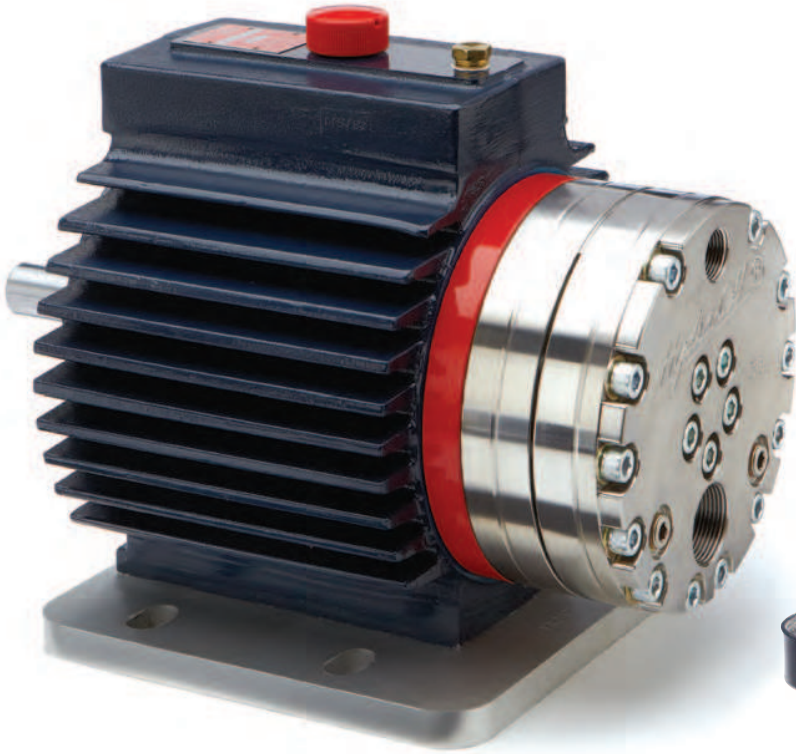


DI5/DI7 Series

Maximum Flow Rate: 15.5 gpm (58.7 l/min)

Maximum Pressure: 2500 psi (172 bar) for Metallic Pump Heads



DI5 for horizontal installations shown with Stainless Steel pump head.



DI7 for vertical mounting (including motor adapter, base plate and oil reservoir) shown with Brass pump head.

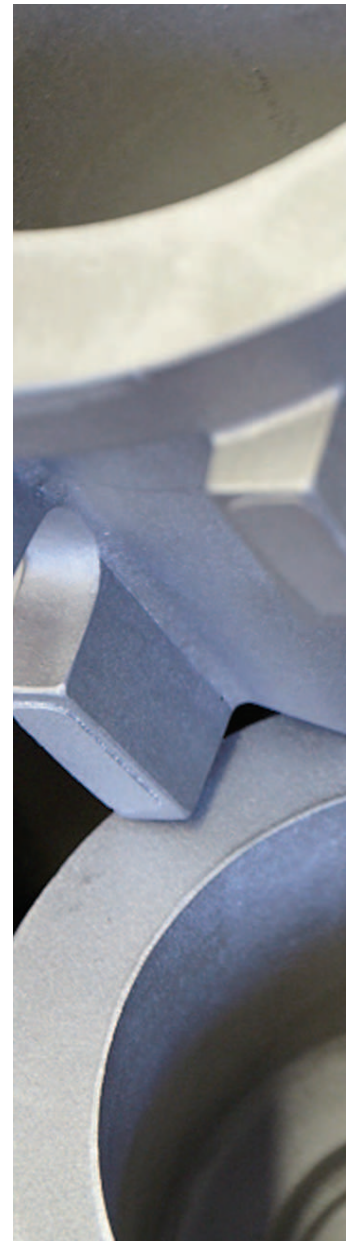
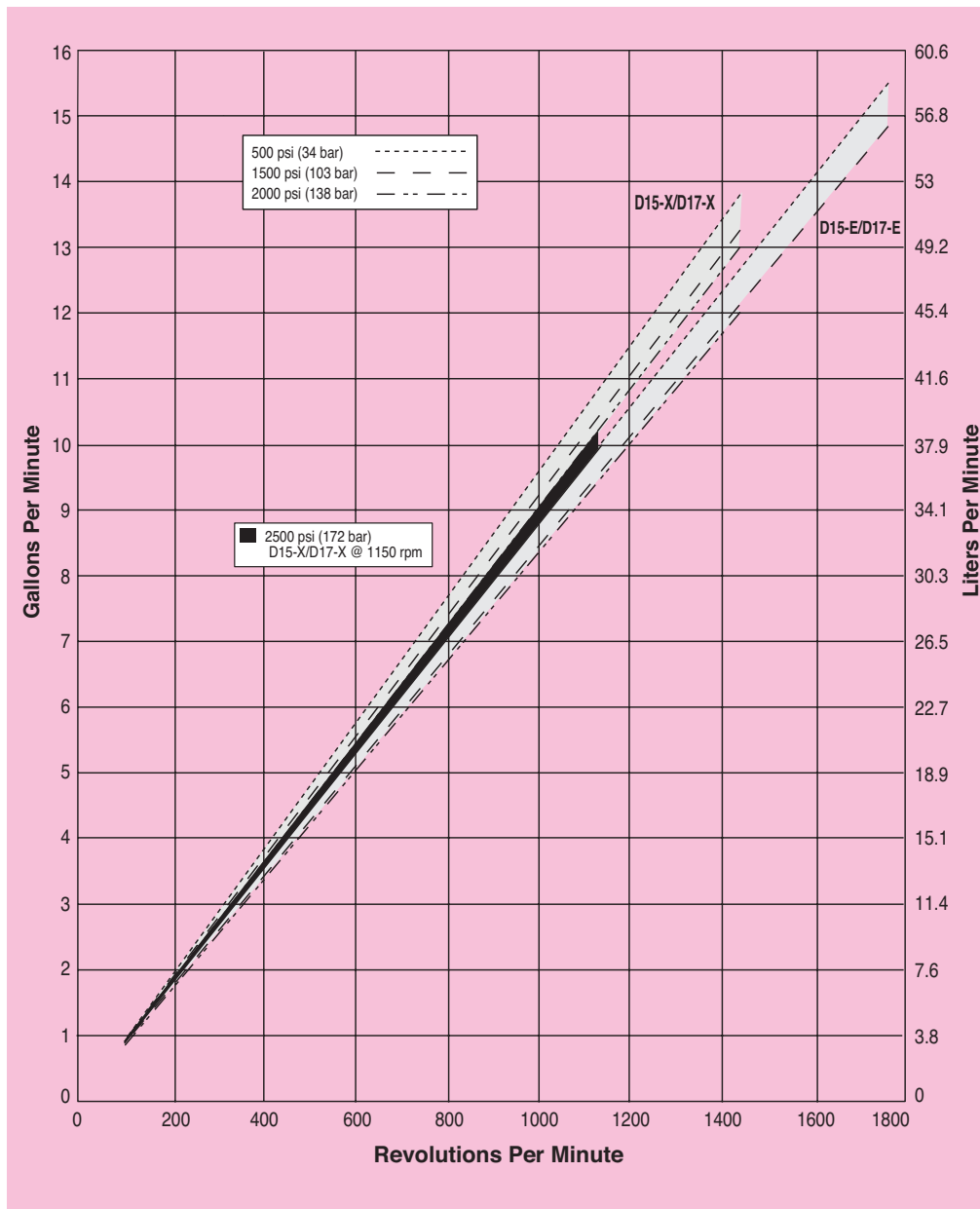
DI5/DI7 Series Performance

Capacities

Model	Max. Input rpm	Flow		Pressure	
		gpm	l/min	Max. Inlet Pressure	Max. Discharge Pressure
DI5-X/DI7-X	1450	13.8	52.3	500 psi (34 bar)	500 psi (34 bar)
	1450	13.3	50.2	500 psi (34 bar)	1500 psi (103 bar)
	1450	13.0	49.2	500 psi (34 bar)	2000 psi (138 bar)
	1150	10.1	38.1	500 psi (34 bar)	2500 psi (172 bar)
DI5-E/DI7-E	1750	15.5	58.7	500 psi (34 bar)	500 psi (34 bar)
	1750	14.8	56.2	500 psi (34 bar)	1500 psi (103 bar)
	1450	12.0	45.5	500 psi (34 bar)	2000 psi (138 bar)

Performance and specification ratings apply to DI5/DI7 configurations unless specifically noted otherwise.

Maximum Flow at Designated Pressure



DI5/DI7 Series Specifications

Flow Capacities

Model	@ max rpm	psi	bar	gpm	l/min
D15-X/D17-X	1450	500	34	13.8	52.3
	1450	1500	103	13.3	50.2
	1450	2000	138	13.0	49.2
	1150	2500	172	10.1	38.1
D15-E/D17-E	1750	500	34	15.5	58.7
	1750	1500	103	14.8	56.2
	1450	2000	138	12.0	45.5

Delivery

Model	psi	bar	gal/rev	liters/rev
D15-X/D17-X	500	34	0.0095	0.0360
	1500	103	0.0092	0.0346
	2000	138	0.0090	0.0339
	2500	172	0.0088	0.0331
D15-E/D17-E	500	34	0.0089	0.0335
	1500	103	0.0085	0.0321
	2000	138	0.0083	0.0314

Maximum Discharge Pressure

Metallic Heads: 1500 psi (103 bar) @1750 rpm
(D15-E & D17-E only)
2000 psi (138 bar) @1450 rpm
2500 psi (172 bar) @1150 rpm

Maximum Inlet Pressure

500 psi (34 bar)

Maximum Operating Temperature

Metallic Heads: 250° F (121° C) - Consult factory for correct component selection for temperatures from 160° F (71° C) to 250° F (121° C).

Maximum Solids Size

500 microns

Inlet Port

1-1/4 inch NPT

Discharge Port

3/4 inch NPT

Shaft Diameter

1-1/8 inch (28.6 mm)

Shaft Rotation

Reverse (bi-directional)

Bearings

Tapered roller bearings

Oil Capacity

2.2 US quarts (2.1 liters) - See pages 104 and 105 for oil selection and specification.

Weight

Metallic Heads: 145 lbs. (66 kg)

Calculating Required Power

$$\frac{80 \times \text{rpm}}{63,000} + \frac{\text{gpm} \times \text{psi}}{1,460 - \left(\frac{\text{psi} - 500}{20}\right)} = \text{electric motor hp}$$

$$\frac{80 \times \text{rpm}}{84,428} + \frac{\text{l/min} \times \text{bar}}{511 - \left(\frac{\text{bar} - 35}{4}\right)} = \text{electric motor kW}$$

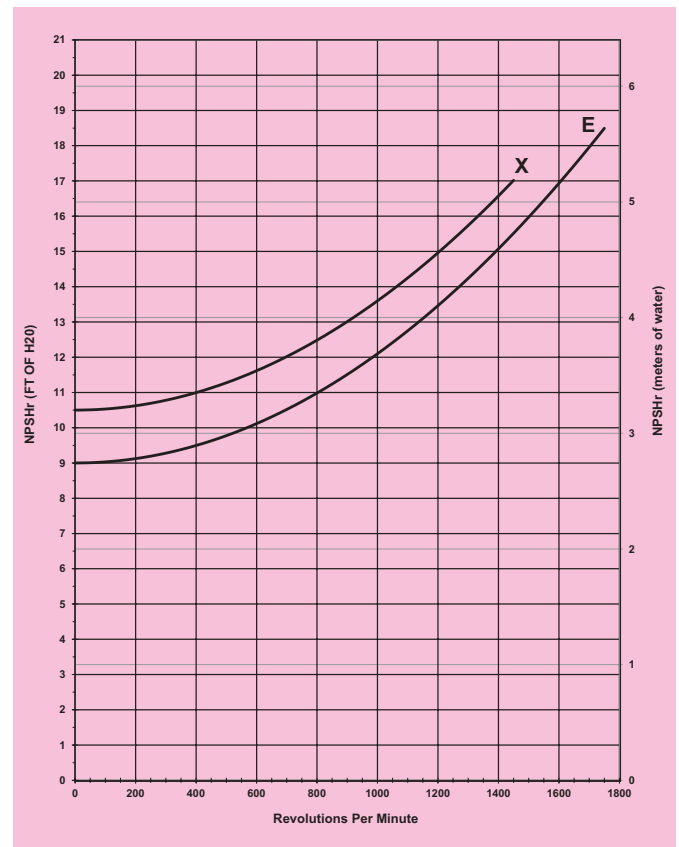
Calculating Pulley Size

$$\frac{\text{motor pulley OD}}{\text{pump rpm}} = \frac{\text{pump pulley OD}}{\text{motor rpm}}$$

See page 168 for calculating pulley size.

When using a variable frequency controller (VFD) calculate the hp or kW at minimum and maximum pump speed to ensure the correct hp or kW motor is selected. Note that motor manufacturers typically de-rate the service factor to 1.0 when operating with a VFD.

Net Positive Suction Head (NPSHr)



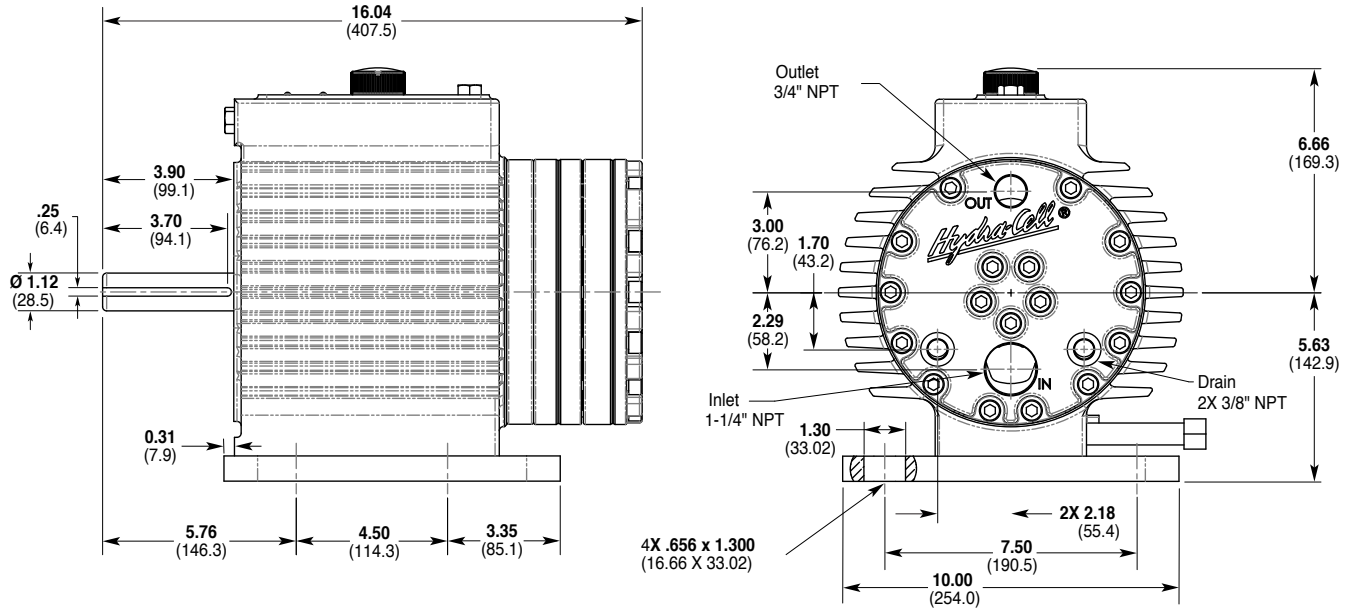
Self-priming:

Each Hydra-Cell pump has different lift capability depending on model size, cam angle, speed, and fluid characteristics. To ensure that your specific lift characteristics are met, refer to the inlet calculations regarding friction, and acceleration head losses in your Hydra-Cell Installation & Service Manual. Compare those calculations to the NPSHr curves above.

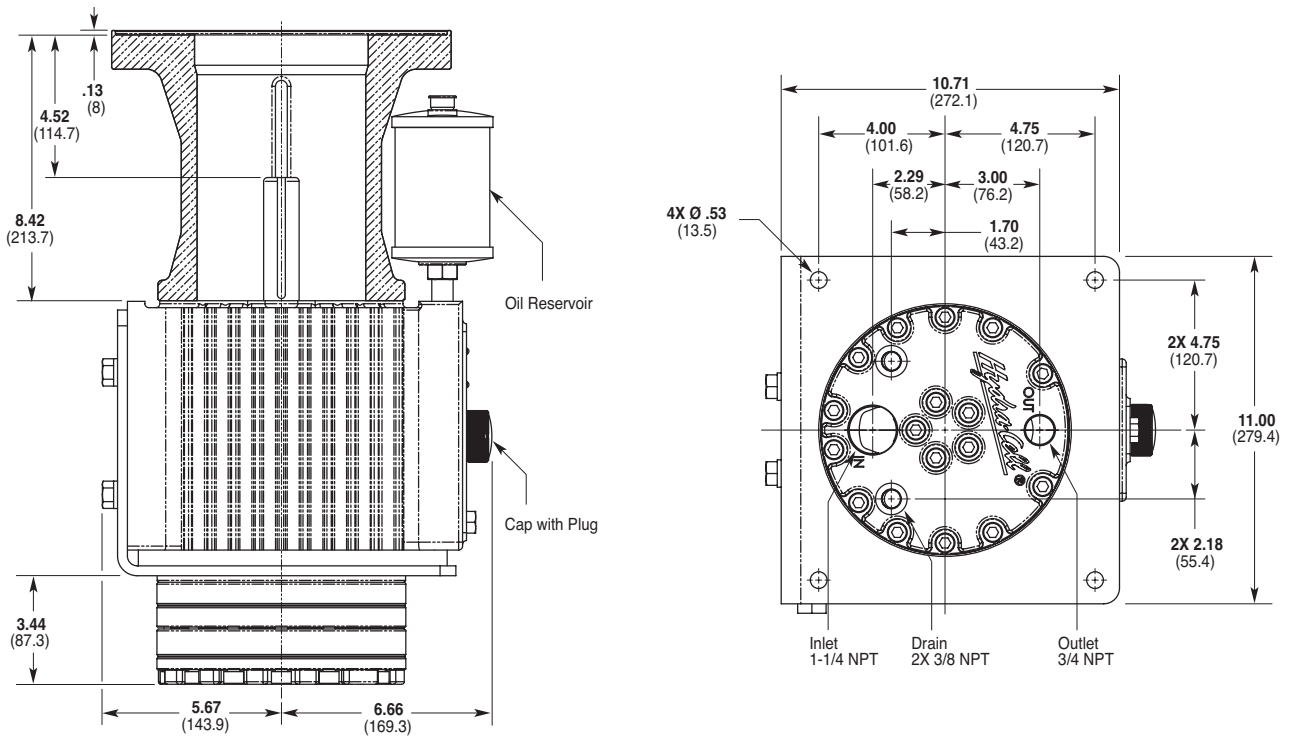
For technical assistance in pump selection, see *Frequently Asked Questions* on page 166, *Design Considerations* on page 167, and *Installation Guidelines* on pages 168-169.

DI5/DI7 Series Representative Drawings

DI5 Models for Horizontal Mounting (Metallic Pump Heads) Inches (mm)



DI7 Models for Vertical Mounting (Metallic Pump Heads) Inches (mm)



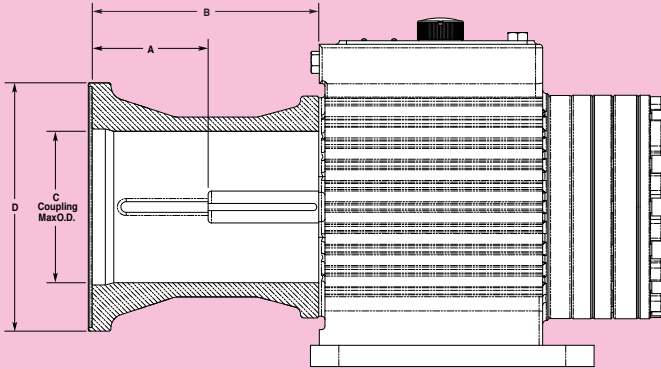
Note: Contact factory for additional drawings of specific models and configurations.

DI5/DI7 Series **Adapters/Valves**

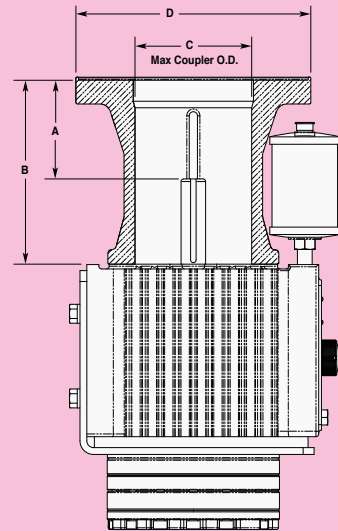
Pump/Motor Adapter Inches (mm)

Pump/Motor Adapters are designed to fit several NEMA frame sizes.

Metric adapter available - consult factory.



DI5 (Horizontal)



DI7 (Vertical)

Dimensions in Inches (mm)

Adapter Motor Size	Part Number	A	B	C	D
DI5/DI7 NEMA 182TC - 256TC	A04-041-1200	4.1 (103.8)	8.0 (202.8)	4.75 (120.7)	8.75 (222.3)
DI5/DI7 NEMA 284TC - 286TC	A04-041-1202	4.5 (114.7)	8.4 (213.7)	4.75 (120.7)	10.75 (273.1)

Valve Selection

A Hydra-Cell DI5/DI7 Series pumping system uses a C62 Pressure Regulating Valve.

See page 88 for more information.



D15/D17 Series **How to Order**

Ordering Information

1	2	3	4	5	6	7	8	9	10	11	12
---	---	---	---	---	---	---	---	---	----	----	----

A complete D15/D17 Series Model Number contains 12 digits including 9 customer-specified design and materials options, for example: D15XABTHFECG.

Digit	Order Code	Description
1-3	D15	Pump Configuration Horizontal shaft-driven (NPT Ports)
	D17	Vertical shaft-driven (NPT Ports) *Pump/motor adapters ordered separately. See previous page.
4	X	Hydraulic End Cam Max 13.8 gpm (52.3 l/min) @ 1450 rpm
	E	Max 15.5 gpm (58.7 l/min) @ 1750 rpm
5	A	Pump Head Version NPT Ports
	B	Pump Head Material Brass
6	S	316L Stainless Steel
	A	Diaphragm & O-ring Material Aflas diaphragm/PTFE o-ring
7	G	FKM
	T	Buna-N
8	D	Valve Seat Material Tungsten Carbide
	H	17-4 Stainless Steel
	N	Nitronic 50
9	D	Valve Material Tungsten Carbide
	F	17-4 Stainless Steel
	N	Nitronic 50
10	E	Valve Springs Elgiloy
	H	17-7 Stainless Steel
	T	Hastelloy C
11	C	Valve Spring Retainers Celcon
	H	17-7 Stainless Steel
	M	PVDF
	P	Polypropylene
	Y	Nylon (Zytel)

Digit	Order Code	Description
12	A	Hydra-Oil 10W30 standard-duty oil
	B	40-wt for continuous-duty (use with 316L SST pump head - standard)
	E	Food-contact oil
	G	5W30 cold-temp severe-duty synthetic oil
	H	15W50 high-temp severe-duty synthetic oil

Note: For motors, bases, couplings and other pump accessories, refer to the Accessories section beginning on page 92.