



Unmatched Reliability

Vaughan[®]

CHOPPER PUMPS

SELF-PRIMING CHOPPER PUMPS ELIMINATE BLOCKING & CLOGGING

**HEAT TREATED ALLOY STEEL
CHOPPER IMPELLER,
CUTTER BAR & UPPER CUTTER**

*Handles all incoming solids
without clogging*

**DUCTILE IRON HOUSING,
CASING & BEARING
HOUSING**

Increases durability

OVERSIZED CLEANOUT

Allows easy access

**VAUGHAN'S CARTRIDGE STYLE
SILICON/TUNGSTEN CARBIDE
MECHANICAL SEAL**

*Isolates pumpage from
bearings & motor*

THRUST BEARINGS

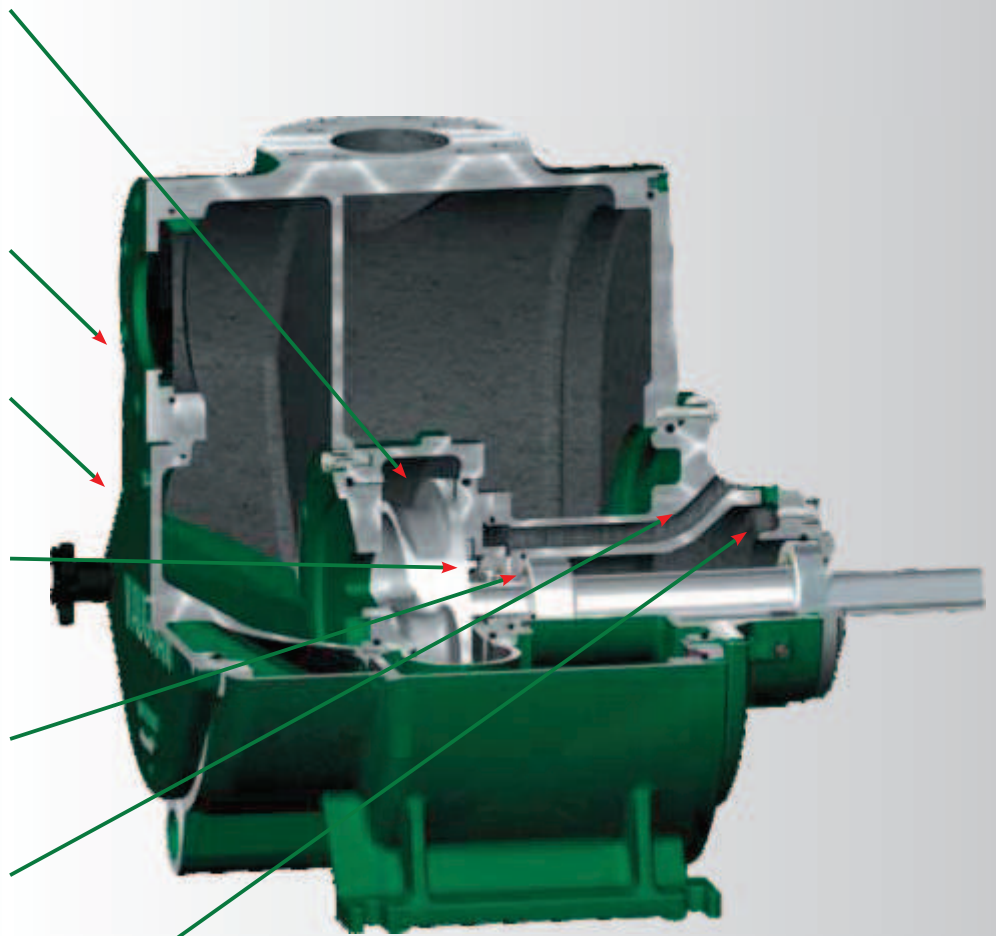
Absorb all loads

OIL LUBRICATION

*Keeps bearings and seal
cool & running smooth*

**ADJUSTABLE CASING &
ROTATING ASSEMBLY**

For ease of maintenance



- ➔ Guaranteed non-clogging Chopper Pump
- ➔ Reprimes even without a check valve
- ➔ Built by the Originator of the Chopper Pump

- ➔ Self-priming up to 7,5m
- ➔ New higher-efficiency chopper impeller
- ➔ Building chopper pumps since 1960

EASILY RETROFIT MOST NON-CHOPPER SELF-PRIMING PUMP INSTALLATIONS BY SIMPLY CHANGING THE PUMP ONLY, EVERYTHING ELSE FITS.