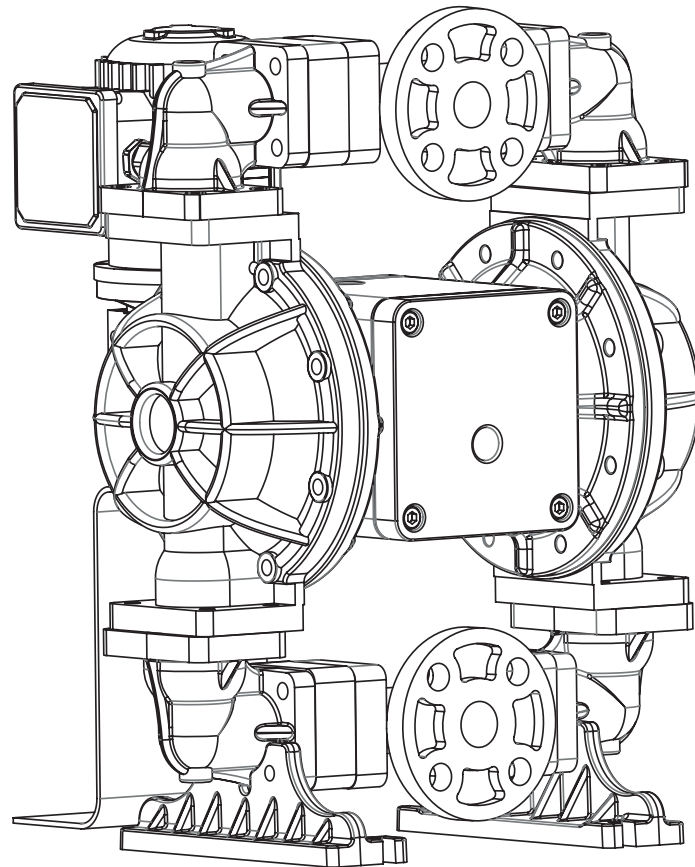


VESTA

Makes life comfortable

LIGHT DUTY ELECTROMECHANICAL DIAPHRAGM PUMP



VP10 E

www.vestapump.com • vesta@vestapump.com

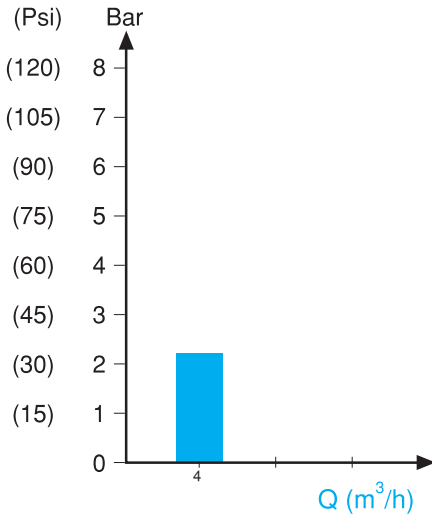


MODEL	VP10 E
MAX. OPERATION PRESSURE (bar)	2
VOLTAGE (Volt)	380/220 Volt 50 Hz
ENERGY CONSUMPTION (Kw)	0,55
DISPLACEMENT/STROKE (Lt/Stroke)	0,55
MAX. DISCHARGE HEAD (Mss)	20
MAX. SUCTION HEAD (Meter)	4
SOLIDS-HANDLING (mm)	4
MAX. CAPACITY (m3/H)	4
RPM	60
MAX. LIQUID TEMPERATURE (°C)	100
INLET (Inch)	1
OUTLET (Inch)	1

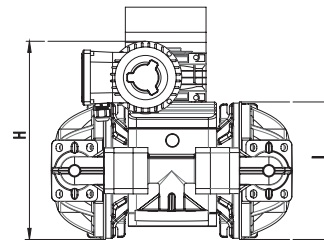
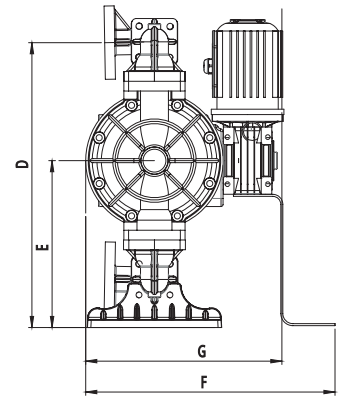
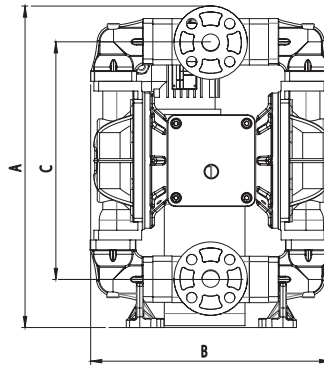
ELECTROMECHANICAL DIAPHRAGM PUMP TYPE CODING

MODEL	TYPE		WETTED SECTION MATERIAL		DIAPHRAGM MATERIAL		BALL MATERIAL		BALL SEAT MATERIAL	
VP10	E	Electric	AL	ALUMINIUM	T	PTFE	T	PTFE	T	PTFE
			PP	POLYPROPLENE	S	SANTOPRENE	S	SANTOPRENE	S	SANTOPRENE
			SS	STAINLESS STEEL	N	NEOPRENE	N	NEOPRENE	N	NEOPRENE
			PVDF	POLIVINILDIFLORUR	B	BUNA-N	B	BUNA-N	B	BUNA-N
					V	VITON	V	VITON	V	VITON
					E	EPDM	E	EPDM	E	EPDM

PERFORMANCE CURVE



Electromechanical diaphragm pumps are manufactured in two types: heavy duty type and light duty type. Light duty type diaphragm pumps are generally used where the output pressure is not desired and where the circulation is desired. It is also used as mobile with its lightweight and ergonomic structure. It also eliminates the need for an electric air compressor.



A	B	C	D	E	F	G	H	I
478	357	354	424	248	370	292	294	204

INDUSTRIES

- MEDICAL
- FOOD PROCESSING
- PULP & PAPER
- PAINT AND COATINGS
- CHEMICAL INDUSTRY
- MINING
- CERAMIC
- REFINERIES

VESTA

Makes life comfortable

Vesta Tüketim Malları San. Tic. Ltd. Şti.

Tel: +90 530 954 72 03

vesta@vestapump.com • www.vestapump.com