

CPE(S) submersible grinder sewage pump

Design

CPE/CPES submersible grinder sewage pump are designed for economical and reliable pumping of sewage water from commercial, communal and industrial sources.

They are suitable for clear and waste water containing solid and fibrous material. The grinder system special for the long fiber, it can grind and broke the fiber in pieces and discharge.

Used in conjunction with the automatic coupling system the below ground level wet installation is a particular economical solution which also does not damage the environment.

The pump are also suitable for quick portable applications.
Maximum temperature: +40°C



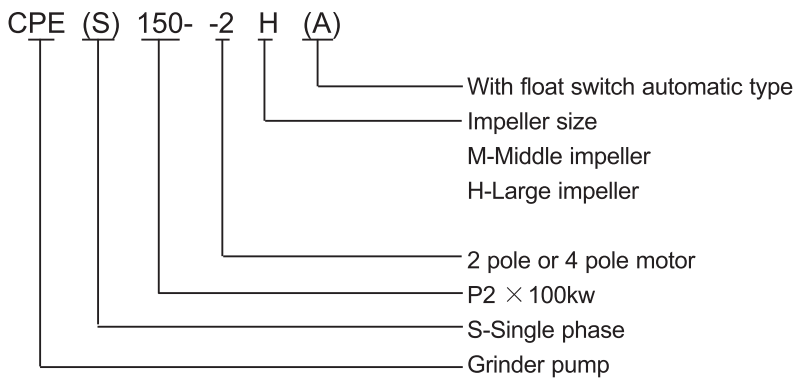
Grinder impeller system

Material

Casing: cast iron GG20
Shaft: stainless steel 420
Impeller: cast iron GG20

Fix&flexible knife: high-chromium alloy
Mechanical seal: Silicon carbon/Tungsten carbide
Fastener: stainless steel

Model Code



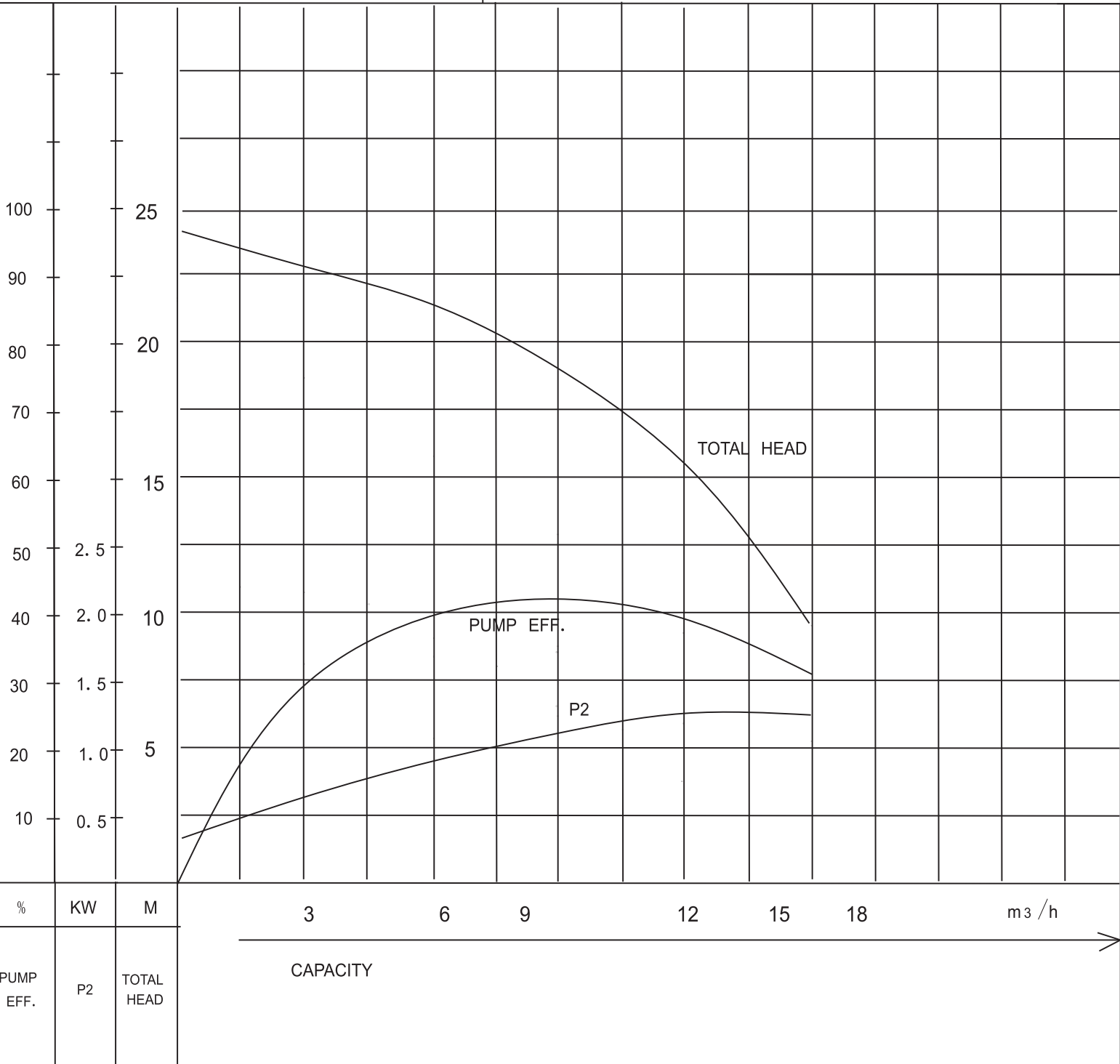
Performance table

No.	Model	Capacity (m ³ /h)	Head (m)	Power (Kw)	Outlet (mm)	Phase	Weight	Pedestal
							(kg)	
1	CPE75-2 (A)	6	12	0.75			3	30
	1							
2	CPE100-2 (A)	10	15	1			3	32
	1							
3	CPE150-2 (A)	10	18	1.5	32		3	33
	1							
4	CPE220 -2H (A)	9	25	2.2			52	
	CPE220 -2M (A)	14	15					
5	CPE300 -2H (A)	9	27	3			52	
	CPE300 -2M (A)	20	16					
6	CPE400-2H(A)	10	38	4	50	3	75	50GAKII
	CPE400 -2M (A)	24	25					
7	CPE550-2H	27	25	5.5	50		150	
9	CPE550-2M	45	20					
9	CPE750-2H	30	30	7.5	50		165	80GAKII
10	CPE750-2M	45	23					

MODEL CPE (S) 150-2 (A)

STANDARD SPECIFICATIONS

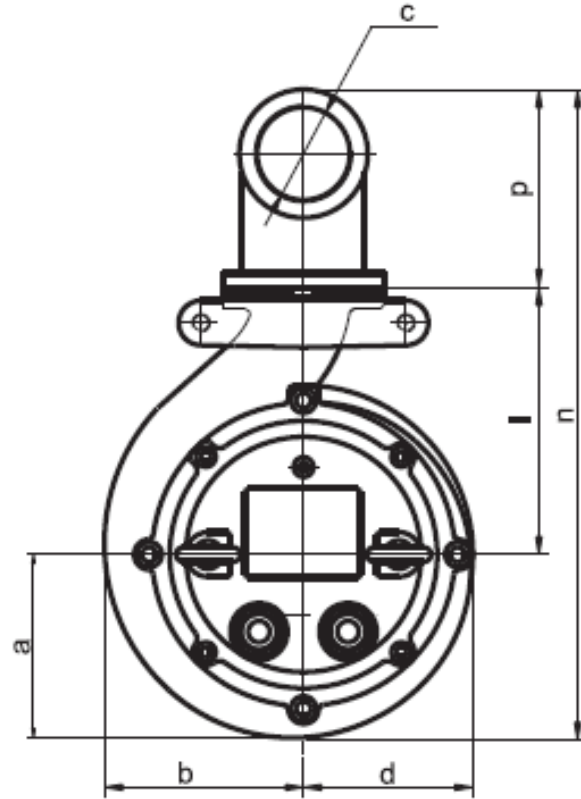
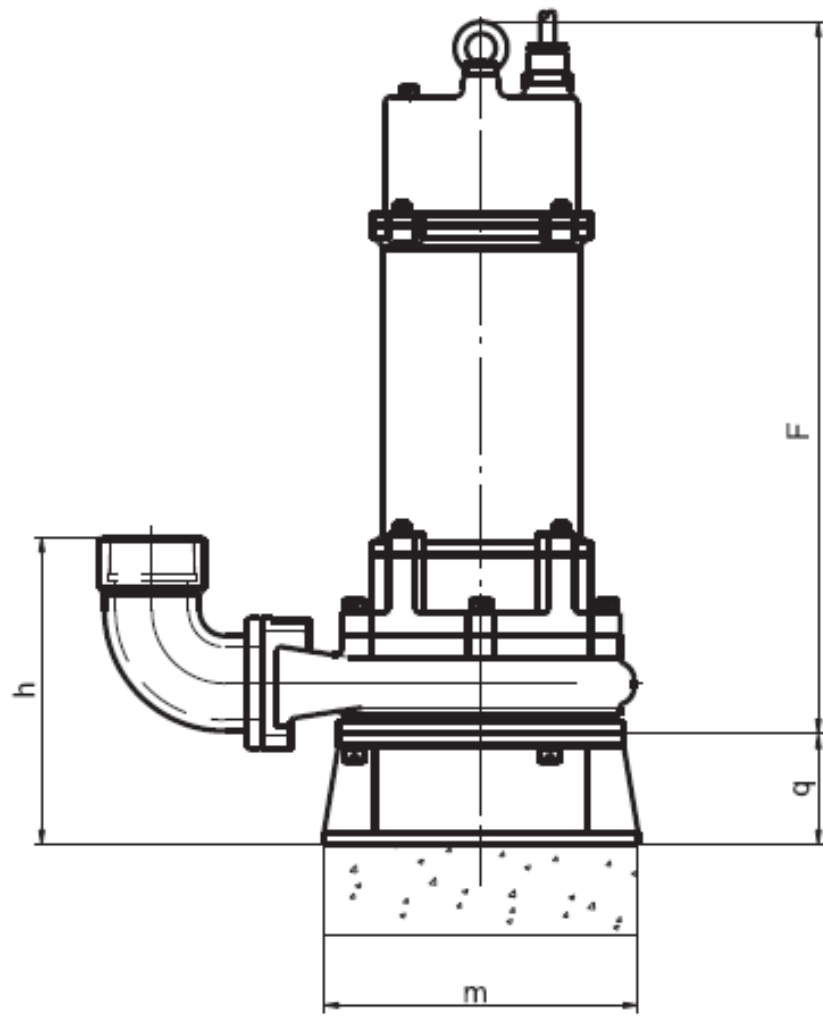
DESCHAGE DN	32	mm
TOTAL HEAD	18	m
CAPACITY	10	m ³ /h
MOTOR POWER	1.5	KW
PHASExVOLTAGE	1/3	X V
CURRENT	9.5/4.3	A
POLES/REVOLUTION	2P/3000rpm	
FREQUENCY	50Hz	
INSULATION CLASS	F	
DIA. OF IMPELLER	144mm	



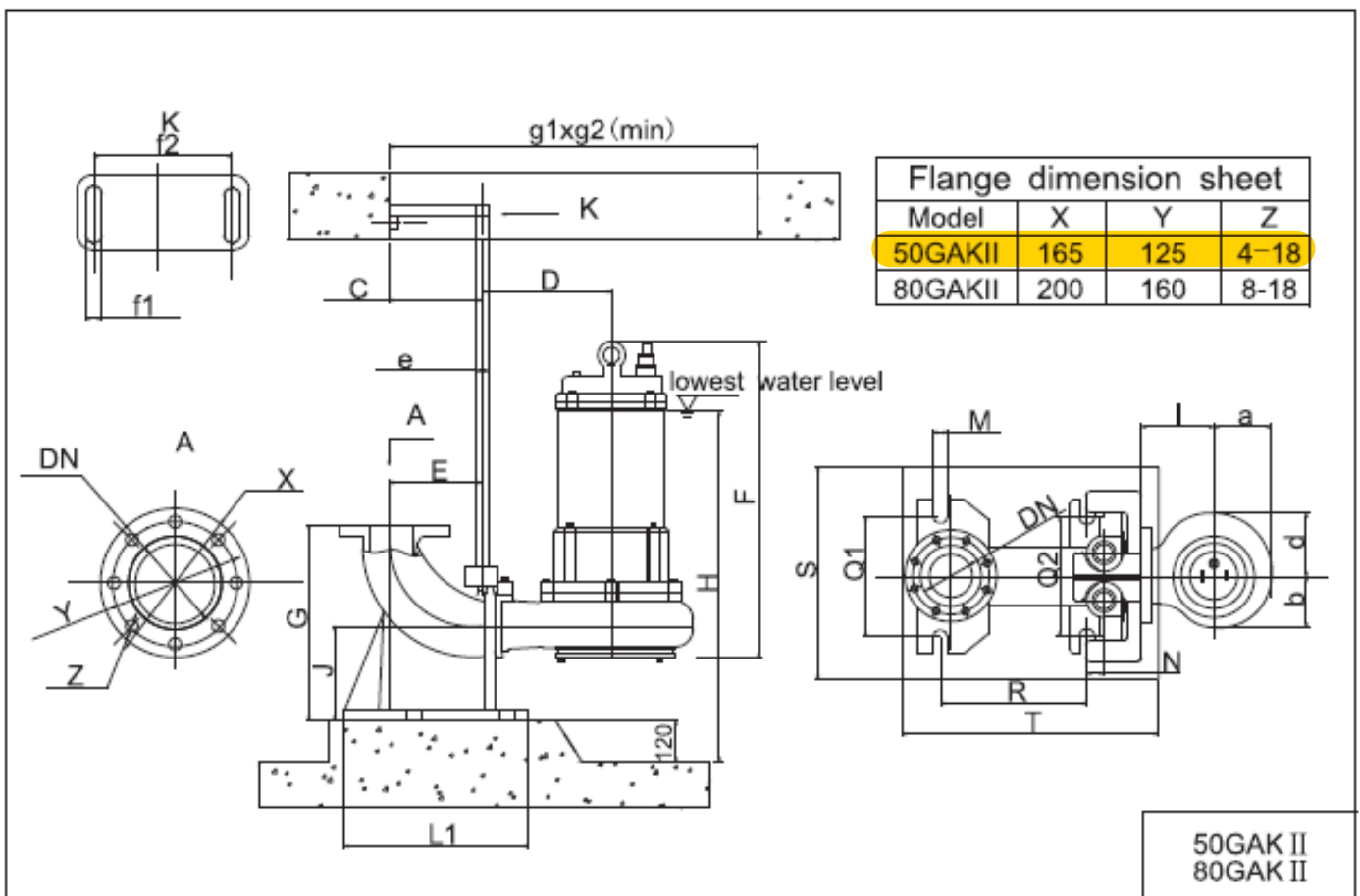
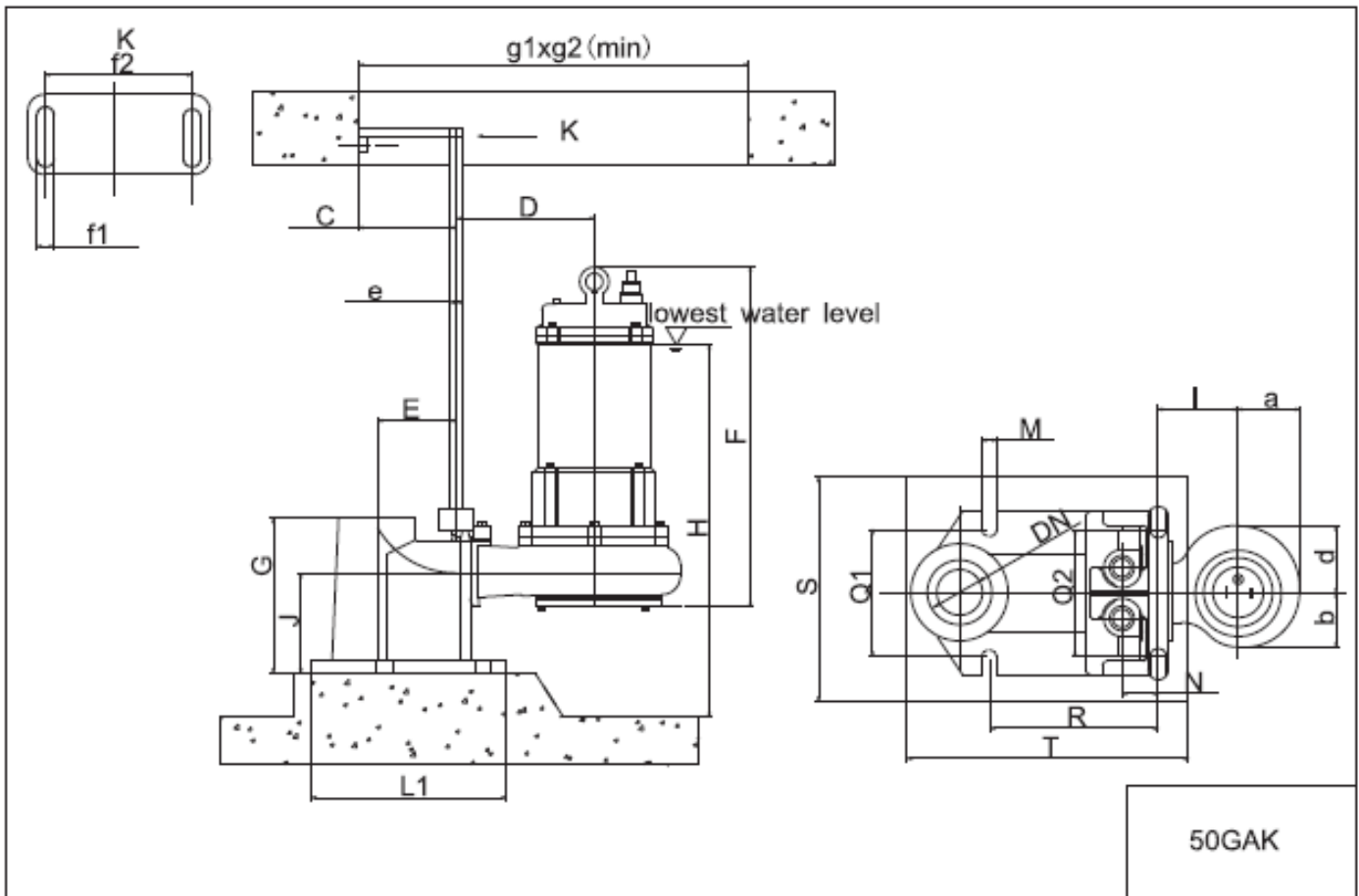
%	KW	M
PUMP EFF.	P2	TOTAL HEAD

CAPACITY

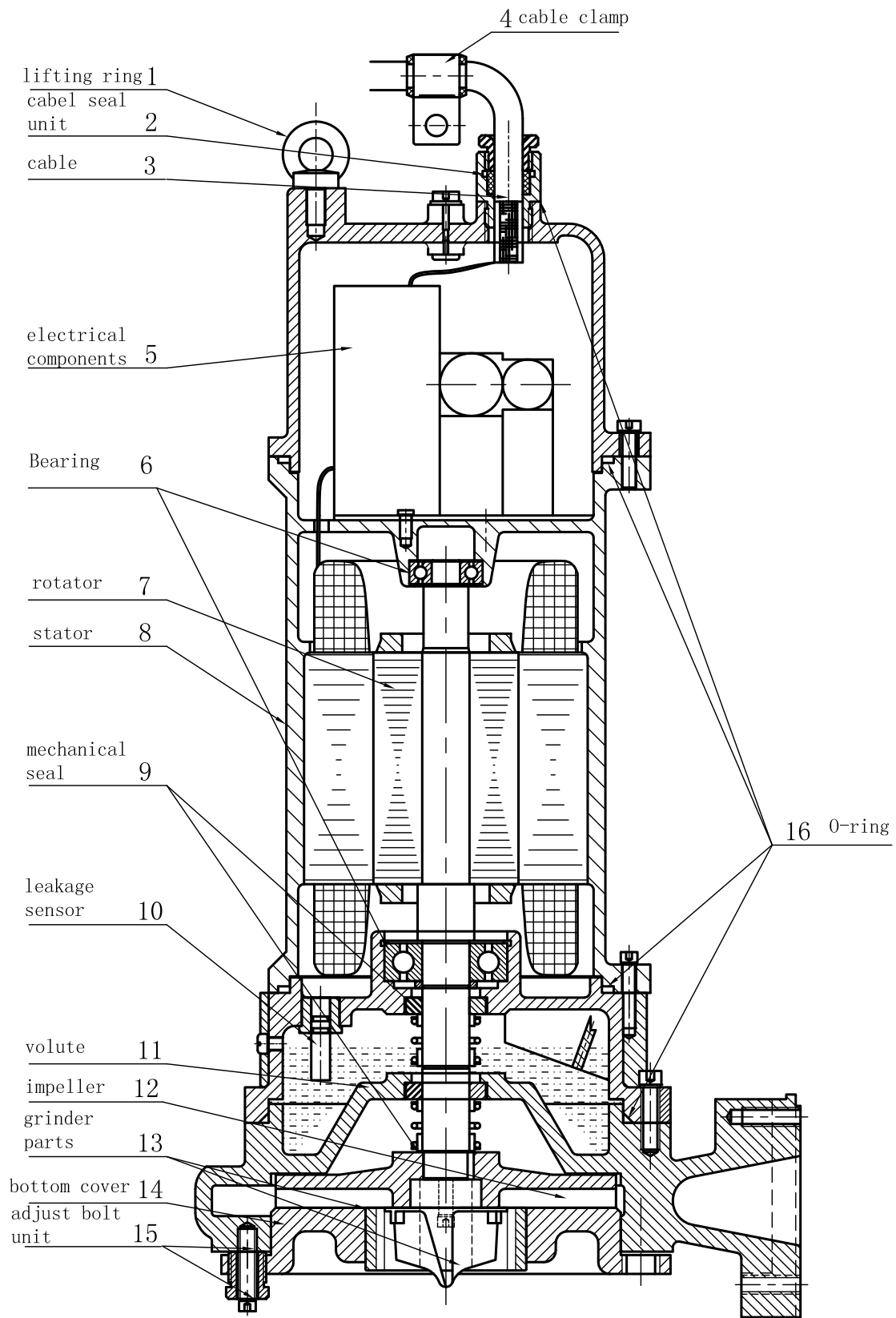
m³/h



No	MODEL	b	d	l	c	h	F	n	p	q	φ m	a
1	CPE75-2	110	97	140	Rc2 "	187	357	355	110	50	190	105
2	CPE75-2(A)	110	97	140	Rc2 "	187	449	355	110	50	190	105
	CPES75-2											
	CPES75-2(A)											
3	CPE100-2	116	96	150	Rc2 "	221	446	370	110	75	215	110
	CPE150-2											
4	CPE100-2(A)	116	96	150	Rc2 "	221	506	370	110	75	215	110
	CPES100-2											
	CPES100-2(A)											
	CPE150-2 (A)											
	CPES150-2											
	CPES150-2(A)											
5	CPE220-2	110	100	160	Rc2 "	235	479	378	110	90	240	108
	CPE300-2											
6	CPE220-2(A)	110	100	160	Rc2 "	235	524	378	110	90	240	108
	CPE300-2(A)											
7	CPE400-2	140	118	190	Rc2 "	257	553	430	110	105	260	130
8	CPE400-2(A)	140	118	190	Rc2 "	257	598	430	110	105	260	130
9	CPE550-2	155	155	240	Rc3 "	418	742	430	135	215	260	130
	CPE750-2											



	Model	b	d	l	a	N	R	Q1	Q2	S	T	M	C	D	E	F	G	J	H	e	g1*g2	f1	f2	L1											
																					(min)														
50 GAK	CPE75-2	110	97	140	105									165		407																			
	CPE75-2(A)															449																			
	CPES75-2																																		
	CPES75-2(A)																																		
	CPE100-2	116	97	140	110									45	100	105	105	450	550	12	74	175	75												
	CPE150-2																																		521
	CPE100-2(A)																																		
	CPES100-2																																		581
	CPES100-2(A)																																		
	CPE150-2(A)																																		
	CPES150-2																																		569
	CPES150-2(A)																																		
	CPE220-2																																		
	CPE300-2																																		
CPE220-2(A)	110	100	160	108																															
CPE300-2(A)																										614									
CPE400-2	139	117	190	127	15	135	230	190	450	550	16	90	230	135	658	245	140	796	Φ40	800	2-Φ18	160	210												
CPE400-2(A)																								703											
80 GAKII	CPE550-2	155	155	240	155	15	250	260	225	450	550	18	90	300	185	957	255	125	1047	Φ40	1100	2-Φ18	160	280											
	CPE750-2																								*800										



SECTION DRAWING