

Hydra•Cell[®]

METERING SOLUTIONS™

PI00 Series

Maximum Flow Rate: 85.0 lph
Maximum Pressure: 1500 psi (103 bar) for Metallic Pump Heads
350 psi (24 bar) for Non-metallic Pump Heads

PI00 with Brass pump head



Hydra-Cell Metering Solutions pumps meet or exceed API 675 performance standards for Steady-State Accuracy ($\pm 1\%$), Linearity ($\pm 3\%$), and Repeatability ($\pm 3\%$).

Metering Pumps with “Pulse-Free” Linear Flow*

- Handles a wide range of fluids from clear water to thick slurries
- Electronic flow control increases accuracy and reliability
- Smaller footprint saves valuable space
- One pump covers a wide range of flows and pressures - reducing inventory requirements with fast, simple field conversion
- Duplexing option doubles capacity and equipment savings
- Hydraulically-actuated, balanced diaphragms provide superior performance across entire pressure range
- Rugged construction with a variety of affordable choices for liquid end, diaphragm and check valve materials
- Seal-less design means no seals, cups, or packing to leak or replace
- A replenishment valve in every piston assembly ensures optimum actuating oil on every stroke for continuous accuracy

*See Note on Page 3



PI00 with Polypropylene pump head



PI00 with Stainless Steel pump head

Performance* Maximum Estimated Flow at Designated Pressure

All Pumps (lph)		Metallic Pump Heads Only (lph)			Pump rpm	Gear Ratio	Motor rpm
7 bar	17 bar	34 bar	69 bar	103 bar			
3.425	3.396	3.337	3.203	3.095	25	60:1	1500
4.150	4.102	4.016	3.850	3.735	30	50:1	
5.140	5.135	5.068	4.841	4.708	37.5	40:1	
6.916	6.884	6.777	6.486	6.307	50	30:1	
8.336	8.283	8.145	7.801	7.587	60	25:1	
10.47	10.38	10.20	9.774	9.507	75	20:1	
14.02	13.88	13.61	13.06	12.71	100	15:1	
21.12	20.88	20.45	19.64	19.11	150	10:1	
28.22	27.87	27.29	26.22	25.50	200	7.5:1	
42.43	41.87	40.96	39.37	38.30	300	5:1	
56.63	55.86	54.64	52.53	51.10	400	7.5:1	3000
85.04	83.85	81.98	78.84	76.70	600	5:1	

* Capacity data is shown for pumps with elastomeric diaphragms. Consult factory for performance characteristics of pumps with PTFE diaphragms.

Required Motor kW

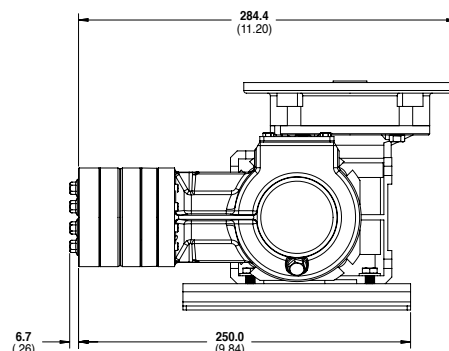
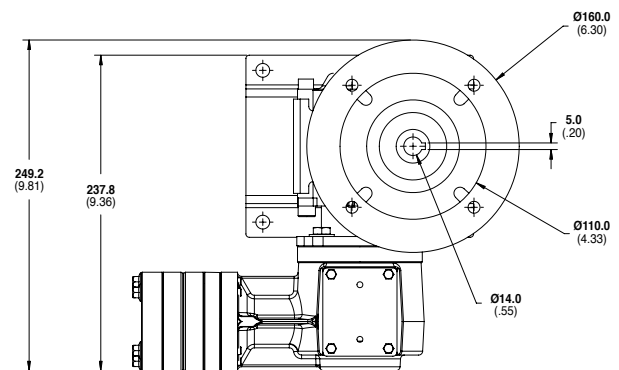
0.18	0.25	0.37	0.55
------	------	------	------

Pump Data

Diaphragms per Liquid End	1
Flow Control	Electronic variable speed drive
Maximum Discharge Pressure	
Metallic Heads:	1500 psi (103 bar)
Non-metallic Heads:	PVDF- 350 psi (24 bar) Polypropylene- 250 psi (17 bar)
Maximum Inlet Pressure	250 psi (17 bar)
Maximum Operating Temperature	
Metallic Heads:	250 °F (121 °C)*
Non-metallic Heads:	140 °F (60 °C)
Inlet Port	1/2 inch NPT or BSPT
Discharge Port	3/8 inch NPT or BSPT
Weight (less motor)	
Metallic Heads:	21.3 lbs (9.7 kg)
Non-metallic Heads:	19.2 lbs (8.7 kg)
Dimensions (less motor)	
Metallic Heads:	9.93" W x 11.58" D x 6.92" H (252.2 mm W x 297.1 mm D x 175.8 mm H)
Non-metallic Heads:	9.93" W x 11.87" D x 6.92" H (252.2 mm W x 301.5 mm D x 175.8 mm H)

* Consult factory for correct component selection for temperatures from 160 °F (71 °C) to 250 °F (121 °C).

Representative Drawings mm (Inches)



Metallic Pump Heads

How to Order

A complete pump order number contains 13 digits based on the specified pump materials listed below.

1	2	3	4	5	6	7	8	9	10	11	12	13
P	1	0	0									

Pump Model Size (Digits 1-4)

P100 For all P100 Pumps (Non Kel-Cell)

Pump Version (Digit 5)

N NPT Ports (NEMA motors only)
M BSPT Ports (IEC motors only)
X ATEX BSPT Ports (IEC motors only)

Pump Head / Retainer Material (Digit 6)

B Brass / Hastelloy C
M PVDF / PVDF
P Polypropylene / Polypropylene
S 316L Stainless Steel / Hastelloy C
T Hastelloy C / Hastelloy C

Diaphragm & O-ring Material / Oil (Digit 7)[▲]

A Atlas / PTFE O-rings (Synthetic oil)
E EPDM (EPDM-compatible oil)
X FKM (Synthetic oil)
J PTFE (Food-contact oil)
P Neoprene (Synthetic oil)
T Buna-N (Synthetic oil)

[▲] See price list for different actuating oils available with these materials.

Check Valve Material (Digits 8-9)

(Valve Spring / Valve Seat / Valve)

SS Elgiloy / 316L SST / Nitronic 50
TT Hastelloy C / Hastelloy C / Hastelloy C
SC Elgiloy / Ceramic / Ceramic
TC Hastelloy C / Ceramic / Ceramic

Gearbox Ratio (Digits 10-12) IEC Motors

060	60:1	(63 B5 Motor Frame)
050	50:1	(63 B5 Motor Frame)
A40	40:1	(71 B5 Motor Frame)
030	30:1	(63 B5 Motor Frame)
A30	30:1	(71 B5 Motor Frame)
A25	25:1	(71 B5 Motor Frame)
A20	20:1	(71 B5 Motor Frame)
A15	15:1	(71 B5 Motor Frame)
A10	10:1	(71 B5 Motor Frame)
A07	7.5:1	(71 B5 Motor Frame)
A05	5:1	(71 B5 Motor Frame)

Base Plate (Digit 13)

C Carbon Steel (Epoxy painted)
S 316L Stainless Steel

Accessories, Options & Services

Consult the Hydra-Cell Metering Solutions catalog for complete details about available accessories and options as well as special services.

- Manifolds and Flanges
- Multiplexing Capability
- Different Gearbox Ratios
- Oil Systems and Kits
- Actuating Oils
- Motors (Standard/Explosion-proof)
- Controllers
- Control Freak Touch-screen Metering Controller
- SmartDrive Motor-Controller
- Calibration Cylinders
- Back Pressure Valves
- Pressure Relief Valves
- Pulsation Dampeners
- Demonstration (Cutaway) Units
- Testing Services
- System Components, Priming Kits and Plugs
- Replacement Part Kits and Tool Kits
- Customization Services

***Note:** Since the P100 is the only single-diaphragm pump model in the Hydra-Cell Metering Solutions line, it is recommended that pulsation dampeners be used to achieve virtually pulse-free flow.



Hydra-Cell Metering Solutions demonstration unit complete with the Control Freak™ touch-screen metering controller.

Hydra•Cell[®]

METERING SOLUTIONS™

Wanner Engineering, Inc.

World Headquarters & Manufacturing

Wanner Engineering, Inc.
1204 Chestnut Avenue,
Minneapolis, MN 55403 USA
Phone: 612-332-5681 • Fax: 612-332-6937
Toll-Free Fax (USA): 800-332-6812
Email: sales@wannereng.com
www.Hydra-Cell.com

Regional Office

207 US Highway 281
Wichita Falls, TX 76310 USA
Phone: 940-322-7111
Toll-Free: 800-234-1384
Email: sales@wannereng.com
www.Hydra-Cell.com

Latin American Office

R. Álvaro Anes, 150 Bairro Campestre
Santo André/São Paulo, Brazil - CEP 09070-030
Phone: +55 (11) 4081-7098
Email: mmagoni@wannereng.com
www.Hydra-Cell.com

Wanner International Ltd.

Wanner International, Ltd.
Hampshire - United Kingdom
Phone: +44 (0) 1252 816847
Email: sales@wannerint.com
www.Hydra-Cell.eu

Wanner Pumps Ltd.

Wanner Pumps, Ltd.
Kowloon - Hong Kong
Phone: +852 3428 6534
Email: sales@wannerpumps.com
www.WannerPumps.com

Shanghai - China
Phone: +86-21-6876 3700
Email: sales@wannerpumps.com
www.WannerPumps.com