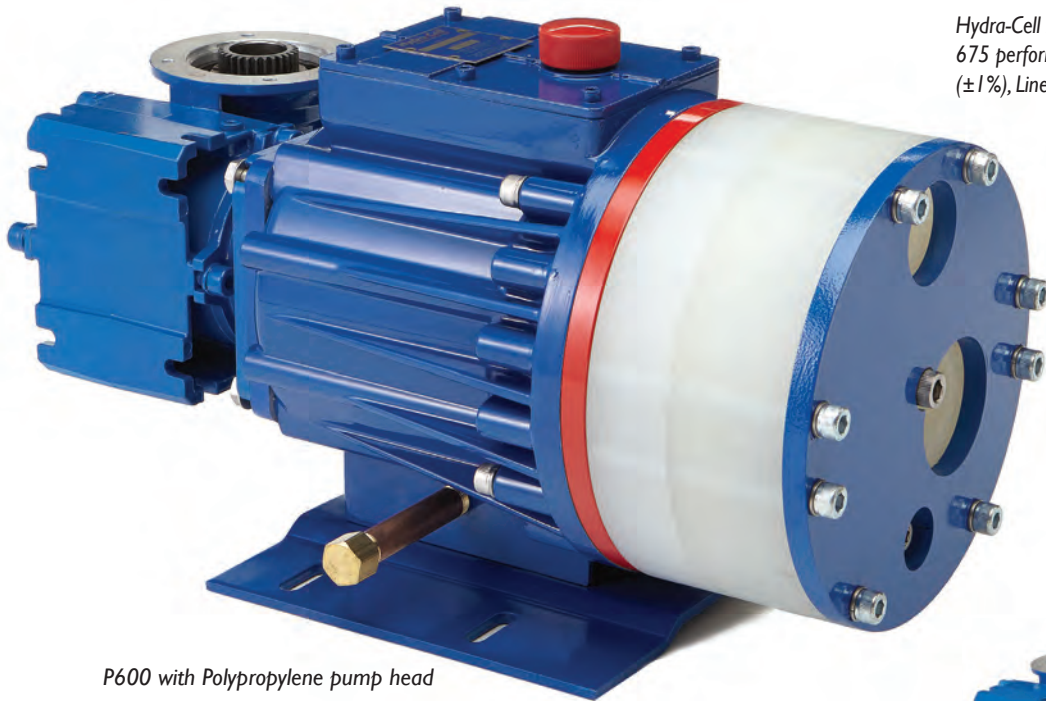


Hydra•Cell[®]

METERING SOLUTIONS™

P600 Series

Maximum Flow Rate: 2808.0 lph
Maximum Pressure: 1000 psi (69 bar) for Metallic Pump Heads
350 psi (24 bar) for Non-metallic Pump Heads

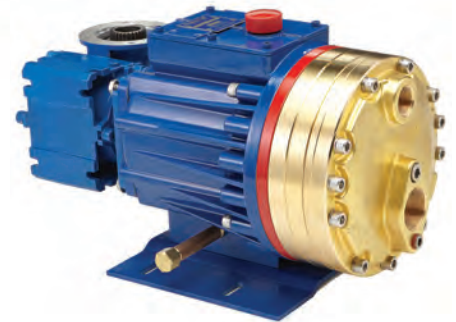


P600 with Polypropylene pump head

Hydra-Cell Metering Solutions pumps meet or exceed API 675 performance standards for Steady-State Accuracy ($\pm 1\%$), Linearity ($\pm 3\%$), and Repeatability ($\pm 3\%$).

Metering Pumps with “Pulse-Free” Linear Flow

- Handles a wide range of fluids from clear water to thick slurries
- Electronic flow control increases accuracy and reliability
- Smaller footprint saves valuable space
- One pump covers a wide range of flows and pressures - reducing inventory requirements with fast, simple field conversion
- Duplexing option doubles capacity and equipment savings
- Hydraulically-actuated, balanced diaphragms provide superior performance across entire pressure range
- Rugged construction with a variety of affordable choices for liquid end, diaphragm and check valve materials
- Seal-less design means no seals, cups, or packing to leak or replace
- A replenishment valve in every piston assembly ensures optimum actuating oil on every stroke for continuous accuracy



P600 with Brass pump head



P600 with Stainless Steel pump head

Performance* Maximum Estimated Flow at Designated Pressure

All Pumps (lph)		Metallic Pump Heads Only (lph)		Pump rpm	Gear Ratio	Motor rpm
7 bar	17 bar	34 bar	69 bar			
115.1	113.9	111.1	104.9	25	60:1	1500
138.5	137.2	134.0	127.3	30	50:1	
173.5	172.0	168.4	161.4	37.5	40:1	
232.0	230.2	225.8	216.9	50	30:1	
278.9	276.7	271.7	261.2	60	25:1	
349.2	346.5	340.5	327.8	75	20:1	
466.3	462.7	455.2	438.6	100	15:1	
700.5	695.3	684.7	660.4	150	10:1	
934.7	927.9	914.1	882.2	200	7.5:1	
1403	1393	1373	1326	300	5:1	
1872	1858	1832	1769	400	7.5:1	3000
2808	2788	2750	2656	600	5:1	

* Capacity data is shown for pumps with elastomeric diaphragms. Consult factory for performance characteristics of pumps with PTFE diaphragms.

Required Motor kW

0.37	0.55	0.75	1.1	1.5	2.2
3	3.7	4	5.5	7.5	

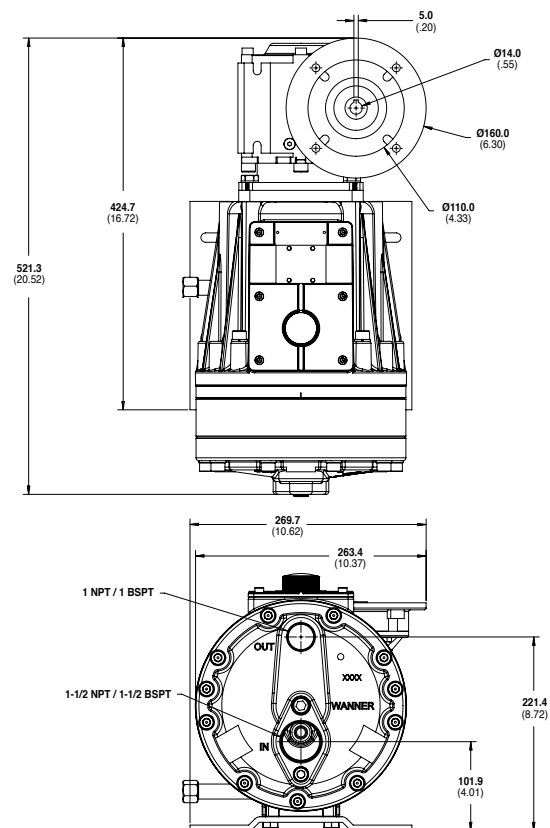
Pump Data

Diaphragms per Liquid End	3
Flow Control	Electronic variable speed drive
Maximum Discharge Pressure	
Metallic Heads:	1000 psi (69 bar)
Non-metallic Heads:	PVDF- 350 psi (24 bar) Polypropylene- 250 psi (17 bar)
Maximum Inlet Pressure	250 psi (17 bar)
Maximum Operating Temperature	
Metallic Heads:	250°F (121°C)*
Non-metallic Heads:	140°F (60°C)
Inlet Port	1-1/2 inch NPT or BSPT
Discharge Port	1 inch NPT or BSPT
Weight (less motor)**	
Metallic Heads:	146.0 lbs (66.2 kg)
Non-metallic Heads:	111.0 lbs (50.3 kg)
Dimensions (less motor)**	
Metallic Heads:	10.74" W x 20.64" D x 11.57" H (272.7 mm W x 524.3 mm D x 293.9 mm H)
Non-metallic Heads:	10.74" W x 21.56" D x 11.57" H (272.7 mm W x 547.6 mm D x 293.9 mm H)

* Consult factory for correct component selection for temperatures from 160°F (71°C) to 250°F (121°C).

** For 71 B5 motor frame only. Consult factory for other motor frame sizes.

Representative Drawings mm (Inches)



Metallic Pump Heads

P600 Series

How to Order

A complete pump order number contains 13 digits based on the specified pump materials listed below.

1	2	3	4	5	6	7	8	9	10	11	12	13
P	6	0	0									

Pump Model Size (Digits 1-4)

P600 For all P600 Pumps (Kel-Cell)

Pump Version (Digit 5)

N	NPT Ports or ANSI Flanges (NEMA motors only)
M	BSPT Ports or ANSI Flanges (IEC motors only)
X	ATEX BSPT Ports (IEC motors only)

Pump Head / Retainer Material (Digit 6)

B	Brass / Hastelloy C
C	Cast Iron / Hastelloy C
M	PVDF / PVDF
P	Polypropylene / Polypropylene
R	316L Stainless Steel (ANSI flange class 150 x 600) / Hastelloy C
S	316L Stainless Steel (NPT or BSPT) / Hastelloy C
T	Hastelloy CW12MW / Hastelloy C

Diaphragm & O-ring Material / Oil (Digit 7)[▲]

A	Aflas / PTFE O-rings (Synthetic oil)
E	EPDM (EPDM-compatible oil)
X	FKM (Synthetic oil)
J	PTFE (Food-contact oil)
P	Neoprene (Synthetic oil)
T	Buna-N (Synthetic oil)

[▲] See price list for different actuating oils available with these materials.

Check Valve Material (Digits 8-9)

(Valve Spring / Valve Seat / Valve)

SS	Elgiloy / Nitronic 50 / Nitronic 50
TT	Hastelloy C / Hastelloy C / Hastelloy C
SC	Elgiloy / Ceramic / Ceramic
TC	Hastelloy C / Ceramic / Ceramic

Gearbox Ratio (Digits 10-12) IEC Motors

A60	60:1	(71 B5 Motor Frame)
B60	60:1	(80 B5 Motor Frame)
A50	50:1	(71 B5 Motor Frame)
B50	50:1	(80 B5 Motor Frame)
A40	40:1	(71 B5 Motor Frame)
B40	40:1	(80 B5 Motor Frame)
A30	30:1	(71 B5 Motor Frame)
B30	30:1	(80 B5 Motor Frame)
B25	25:1	(80 B5 Motor Frame)
C25	25:1	(90 B5 Motor Frame)
B20	20:1	(80 B5 Motor Frame)
C20	20:1	(90 B5 Motor Frame)
B15	15:1	(80 B5 Motor Frame)
C15	15:1	(90 B5 Motor Frame)
B10	10:1	(80 B5 Motor Frame)
C10	10:1	(90 B5 Motor Frame)
D10	10:1	(110/112 B14 Motor Frame)
B07	7.5:1	(80 B5 Motor Frame)
C07	7.5:1	(90 B5 Motor Frame)
D07	7.5:1	(110/112 B14 Motor Frame)
B05	5:1	(80 B5 Motor Frame)
C05	5:1	(90 B5 Motor Frame)
D05	5:1	(110/112 B14 Motor Frame)

Base Plate (Digit 13)

C	Carbon Steel (Epoxy painted) for A & B reducers, size 63
H	Carbon Steel (Epoxy painted) for C & D reducers, size 75

Accessories, Options & Services

Consult the Hydra-Cell Metering Solutions catalog for complete details about available accessories and options as well as special services.

- Manifolds and Flanges
- Multiplexing Capability
- Different Gearbox Ratios
- Oil Systems and Kits
- Actuating Oils
- Motors (Standard/Explosion-proof)
- Controllers
- Control Freak Touch-screen Metering Controller
- SmartDrive Motor-Controller
- Calibration Cylinders
- Back Pressure Valves
- Pressure Relief Valves
- Pulsation Dampeners
- Demonstration (Cutaway) Units
- Testing Services
- System Components, Priming Kits and Plugs
- Replacement Part Kits and Tool Kits
- Customization Services



Hydra-Cell Metering Solutions demonstration unit complete with the Control Freak™ touch-screen metering controller.

Hydra•Cell[®]

METERING SOLUTIONS™

Wanner Engineering, Inc.

World Headquarters & Manufacturing

Wanner Engineering, Inc.
1204 Chestnut Avenue,
Minneapolis, MN 55403 USA
Phone: 612-332-5681 • Fax: 612-332-6937
Toll-Free Fax (USA): 800-332-6812
Email: sales@wannereng.com
www.Hydra-Cell.com

Regional Office

207 US Highway 281
Wichita Falls, TX 76310 USA
Phone: 940-322-7111
Toll-Free: 800-234-1384
Email: sales@wannereng.com
www.Hydra-Cell.com

Latin American Office

R. Álvaro Anes, 150 Bairro Campestre
Santo André/São Paulo, Brazil - CEP 09070-030
Phone: +55 (11) 4081-7098
Email: mmagoni@wannereng.com
www.Hydra-Cell.com

Wanner International Ltd.

Wanner International, Ltd.
Hampshire - United Kingdom
Phone: +44 (0) 1252 816847
Email: sales@wannerint.com
www.Hydra-Cell.eu

Wanner Pumps Ltd.

Wanner Pumps, Ltd.
Kowloon - Hong Kong
Phone: +852 3428 6534
Email: sales@wannerpumps.com
www.WannerPumps.com

Shanghai - China
Phone: +86-21-6876 3700
Email: sales@wannerpumps.com
www.WannerPumps.com